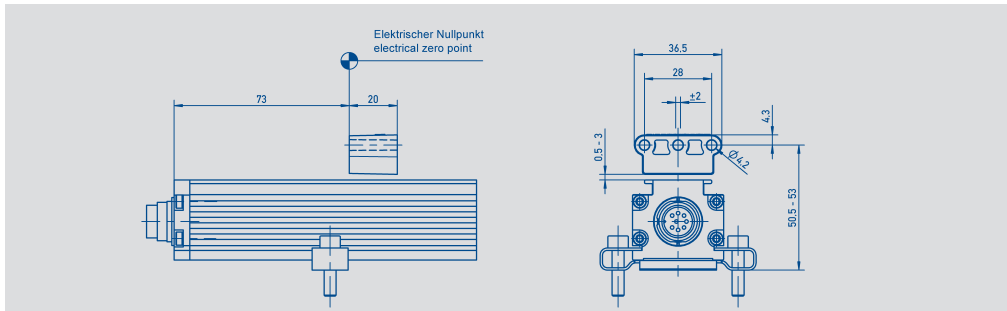


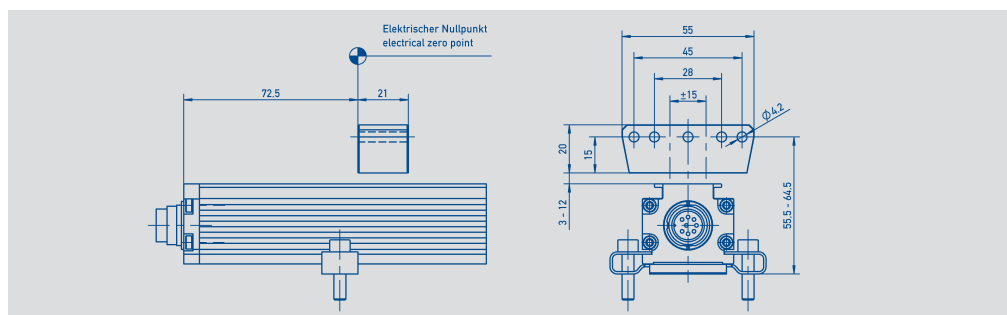
**Position Marker
for non-contacting
Transducers
Profile design**

Series TP1 / TLM



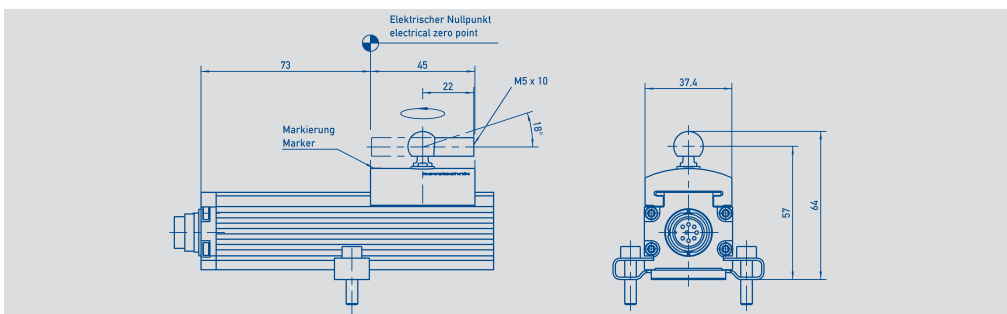
Z-TP1-P06

Floating position marker
Art.No. 005693
weight approx. 10 g.
Working distance 0.5 - 3 mm



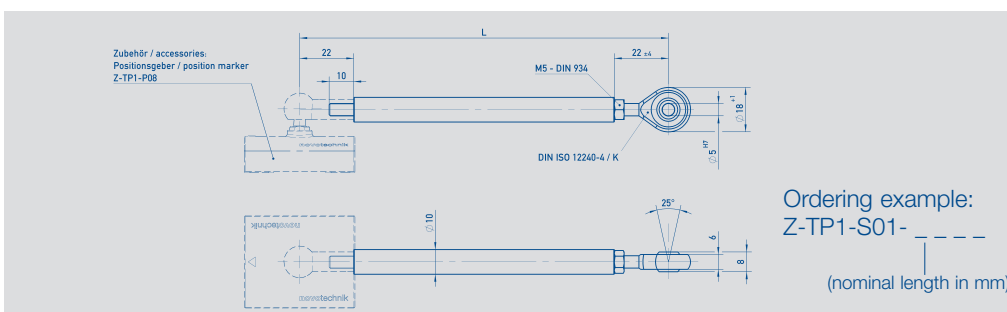
Z-TP1-P07

Floating position marker
Art.No. 005694,
weight approx. 40 g.
Working distance 3 - 12 mm



Z-TP1-P08

Guided position marker
Art.No. 005695,
weight approx. 30 g

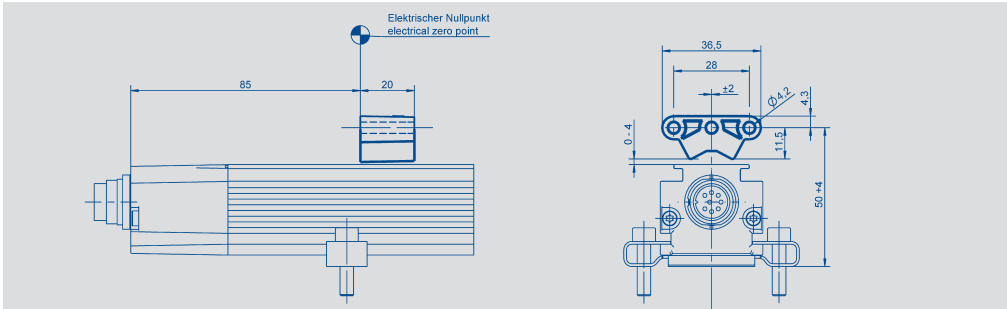


Z-TP1-S01-

Actuating rod for guided
position marker Z-TP1-P08 and
Z-TLM-P05,
weight approx. 150 g/m
Material aluminium;
Standard nominal length (mm):
0075, 0100, 0125, 0150,
0200, 0250, 0300, 0350,
0400, 0450, 0500, 0600,
0800, 1000, 1500, 2000

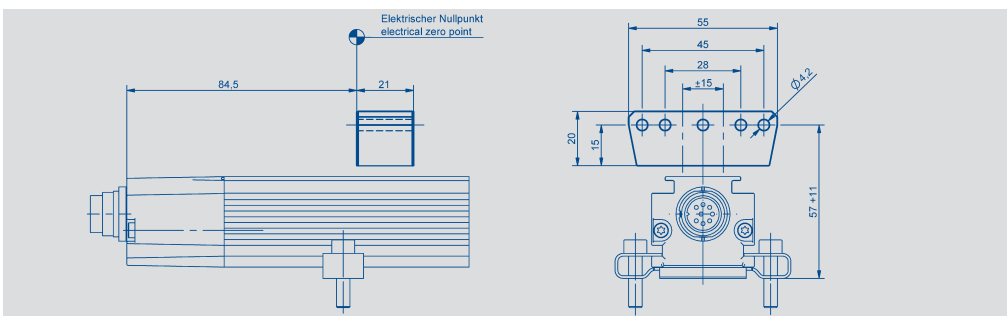
Novotechnik
 Messwertaufnehmer OHG
 Postfach 4220
 73745 Ostfildern (Ruit)
 Horbstraße 12
 73760 Ostfildern (Ruit)
 Tel. +49 711 44 89-0
 Fax +49 711 44 89-150
 info@novotechnik.de
 www.novotechnik.de

© 11/2012
 Subject to changes
 Printed in Germany



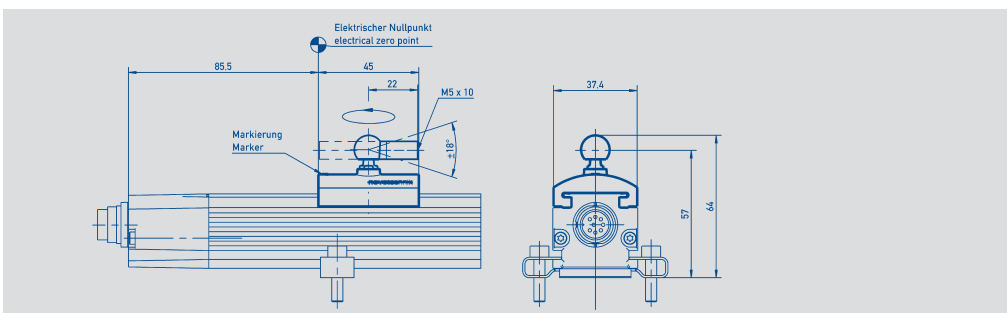
Z-TLM-P01

Floating position marker for TLM and TMI
 Art.No. 005651
 weight approx. 10 g.
 Working distance 0 - 4 mm



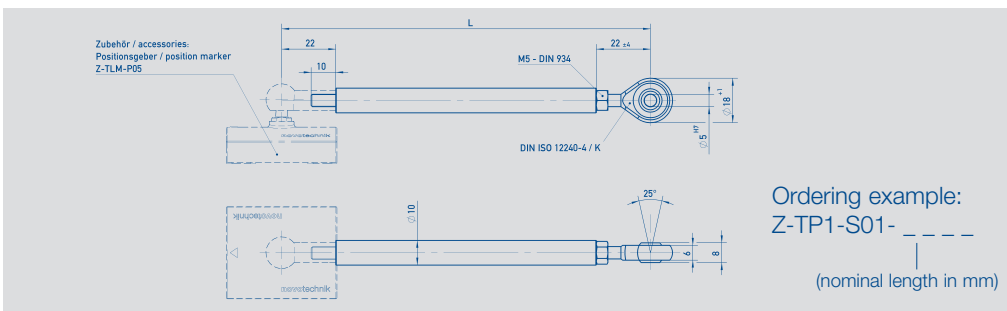
Z-TLM-P04

Floating position marker for TLM and TMI
 Art.No. 005654,
 weight approx. 40 g.
 Working distance 4 - 15 mm



Z-TLM-P05

Guided position marke,
 Art.No. 005655,
 weight approx. 30 g



Z-TP1-S01- _ _ _ _ _

Actuating rod for guided position marker Z-TP1-P08 and Z-TLM-P05,,
 weight approx. 150 g/m
 Material aluminium;
 Standard nominal length (mm):
 0075, 0100, 0125, 0150, 0200, 0250, 0300, 0350, 0400, 0450, 0500, 0600, 0800, 1000, 1500, 2000

Ordering example:
 Z-TP1-S01- _ _ _ _ _
 (nominal length in mm)

Other position markers and float position markers see data sheet rod style transducers