

**NOVOTURN  
Multiturn Sensor  
Non-contacting**

**RSM-2800**  
Current  
**Industrial**



**Special Features**

- Non-contacting, magnetic
- Long life
- Measuring range 720° up to 5760° in 360°-steps (2 to 16 turns)
- True-Power-On system: counts turns even when not powered. Patented non-volatile technology does not require gears or batteries
- Available with push-on coupling or marked shaft
- Easy mounting
- Protection class IP54 up to IP67
- Resolution 16 bits
- Linearity up to  $\pm 0,03\%$
- Other configurations see separate data sheets

**Applications**

- Mechanical engineering
- Mobile machinery
- Driveline or steering systems
- Wire-actuated encoders
- Gate drives
- Motor sports

Multiturn sensors that use the GMR technology (giant magneto resistance), provide absolute position values, do not require any reference signals and need no power supply or buffer battery for detecting the revolutions. The fact that rotations are detected even unpowered and the sensor does not lose its position information during a power failure, makes the RSM-2800 with its diameter of only 28 mm an extremely compact real True-Power-On rotary sensor.

The sensor operates magnetically and thus contactless allowing an extremely long life.

The sensor is able to detect angular positions over 2 to 16 revolutions with a high resolution of 16 bits.

**Description**

Material	Housing: high grade, temperature resistant plastic PPS-GF40/SF50 Shaft: stainless steel, X8CrNiS18-9 1.4305
Mounting	With 2 screws M4 and washers
Fastening torque of mounting	max. 180 Ncm
Bearing	Sintered bronze bushing
Electrical connection	Cable 4x 0.5 mm <sup>2</sup> (AWG 20), TPE, shielded

**Mechanical Data**

Dimensions	See dimension drawing
Mechanical travel	360° continuous
Permitted shaft load static or dynamic	20 N (axial / radial)
Torque	0.15 Ncm (IP54), 0.5 Ncm (IP65), 1.0 Ncm (IP67)
Weight	approx. 50 g

## Ordering Specifications

### Ordering Specifications

**Preferred types printed in bold**

- Delivery time up to 25 pcs. within 10 working days EXW
- Best low-volume pricing

**Supply voltage  $U_b$**

1:  $U_b = 24$  VDC

**Interface parameters**

2: 4 ... 20 mA

**Output characteristic**

1: **Rising characteristic cw**

2: Rising characteristic ccw

Other output characteristics on request

**Electrical connection**

201: Cable, 4-pole, shielded, L = 0.5 m

**202: Cable, 4-pole, shielded, L = 1 m**

**206: Cable, 4-pole, shielded, L = 3 m**

210: Cable, 4-pole, shielded, L = 5 m

220: Cable, 4-pole, shielded, L = 10 m

**501: Conector M12x1, 4-pin, with cable, shielded, L = 0.15 m**

Cable versions and assembled connectors on request

**R S M - 2 8 3 2 - 0 1 0 - 1 2 1 - 2 0 2**

Series

**Number of turns for output characteristic**

002 ... 016: 2 up to 16 turns

Increment 1 turn, X turns correspond to a measuring angle of  $X \cdot 360^\circ$

**003, 006, 010, 016: 3, 6, 10, 16 turns**

Other measuring angles on request

**Mechanical version**

2801: 6 mm shaft with marking, IP54\*

2831: 6 mm shaft with marking, IP65\*

2861: 6 mm shaft with marking, IP67\*

2802: 6 mm shaft with flattening, IP54

**2832: 6 mm shaft with flattening, IP65**

2862: 6 mm shaft with flattening, IP67

2821: push-on coupling, IP54

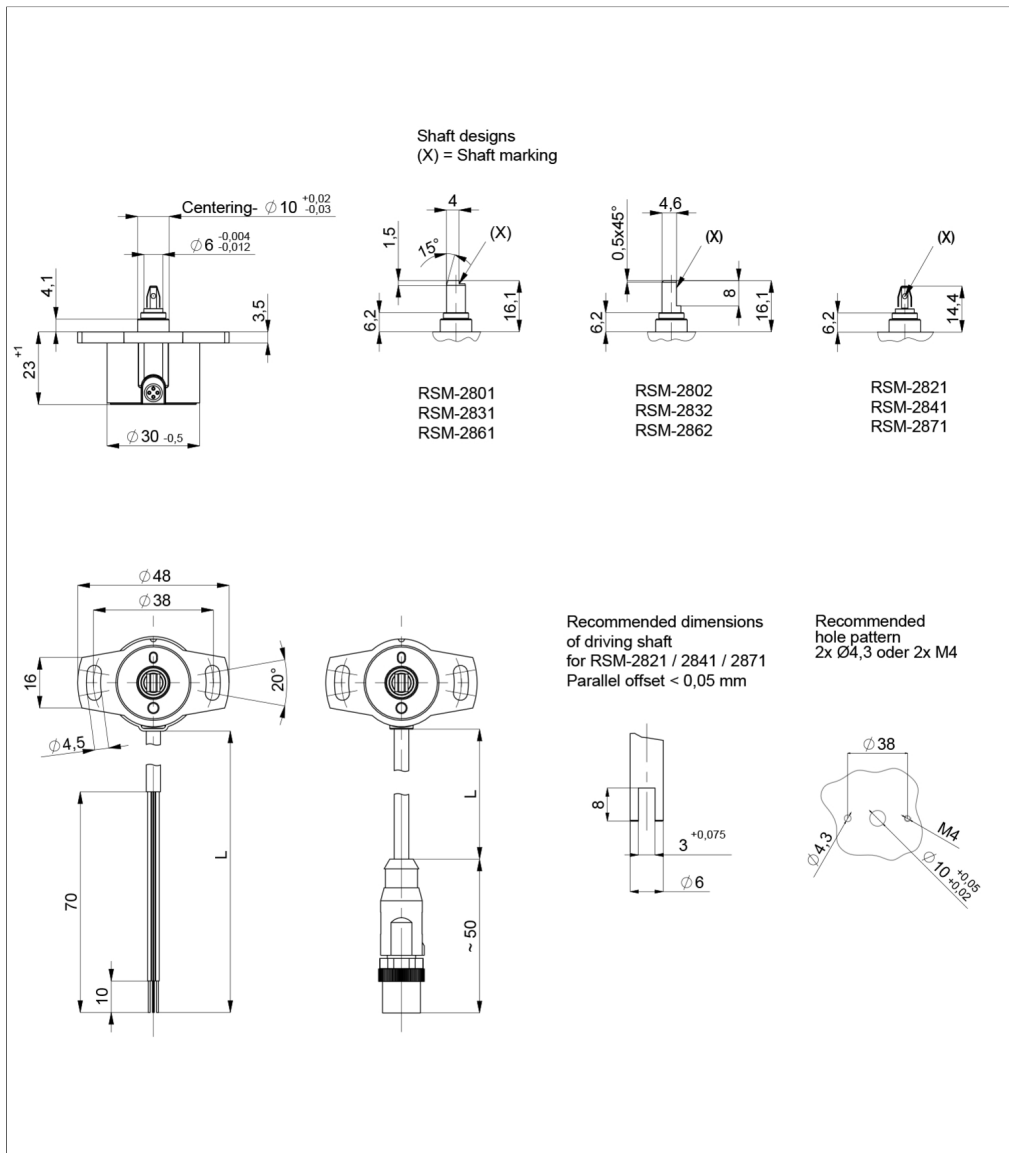
**2841: push-on coupling, IP65**

2871: push-on coupling, IP67

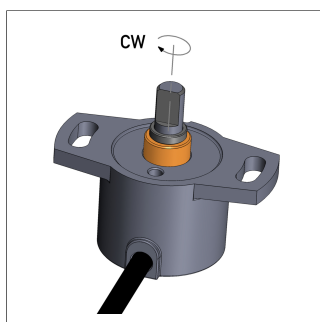
Other shaft configurations on request

\* Not recommended for new designs

**Drawing**



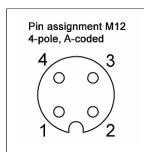
CAD data see  
[www.novotechnik.de/en/download/cad-data/](http://www.novotechnik.de/en/download/cad-data/)



When the marking of the shaft is pointing towards the electrical outlet, the sensor output is located on an integer turn position.

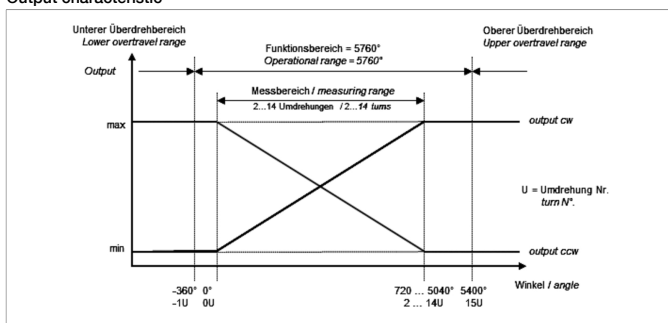
## Technical Data

Type	RSM-28 _ _ _ _ _12 _ _ _ _	
Output signal	4 ... 20 mA	
Burden	≤ 500 Ω	
Number of channels	1	
Start-up time	typ. 10 ms	
Response time	max. 2 ms	
Measuring range	0 ... 720° up to 0 ... 5760° in 360°-steps	
Independent linearity	2 turns: typ. ≤ ±0.25 %FS, max. ≤ ±0.35 %FS 3 turns: typ. ≤ ±0.167 %FS, max. ≤ ±0.267 %FS 6 turns: typ. ≤ ±0.083 %FS, max. ≤ ±0.183 %FS 10 turns: typ. ≤ ±0.05 %FS, max. ≤ ±0.15 %FS 16 turns: typ. ≤ ±0.031 %FS, max. ≤ ±0.131 %FS	
Resolution	16 bits	
Repeatability	≤ ±0.5°	
Hysteresis	≤ ±1°	
Temperature error	±0.625 %FS	
Supply voltage Ub	24 VDC (18 ... 30 VDC)	
Current consumption w/o load	typ. 30 mA	
Polarity protection	yes (supply lines and outputs)	
Short circuit protection	yes (vs. GND and supply voltage Ub)	
Insulation resistance (500 VDC)	≥ 10 MΩ	
<b>Environmental Data</b>		
Max. operational speed	800 rpm	
Vibration IEC 60068-2-6	20 g, 5 ... 2000 Hz, Amax = 0.75 mm	
Shock IEC 60068-2-27	50 g, 6 ms	
Protection class DIN EN 60529	IP54 / IP65 / IP67	
Operating temperature	-40 ... +85°C -25 ... +85°C (connector M12)	
Insensitivity to magnetic DC fields	< 15 mT	
Life	> 50 Mio. movements (mechanically)	
MTTF (IEC 60050)	186 years	
<b>EMC Compatibility</b>		
EN 61000-4-2 ESD (contact/air discharge)	4 kV, 8 kV	
EN 61000-4-3 Electromagnetic fields (RFI)	10 V/m	
EN 61000-4-4 Fast transients (burst)	1 kV	
EN 61000-4-6 Cond. disturbances (HF fields)	10 V eff.	
EN 61000-4-8 Magnetic fields	30 A/m	
EN 55011 Noise radiation	Class B	
<b>Connection Assignment</b>		
Signal	Cable code 2_ _	Connector code 5_ _
Supply voltage Ub	GN	Pin 1
GND	BN	Pin 3
Signal output	WH	Pin 2
Do not connect / not assigned	YE	Pin 4
Connect cable shielding to GND		

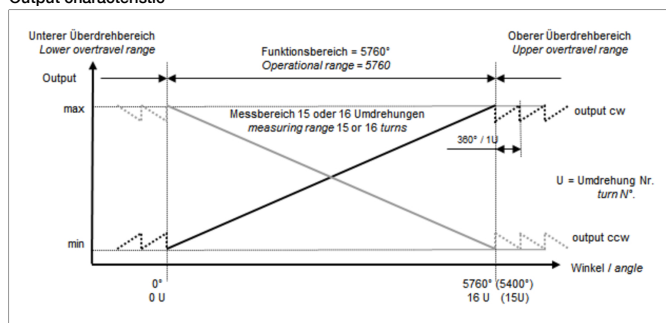


**Technical Data**  
**Output**  
**Characteristics**

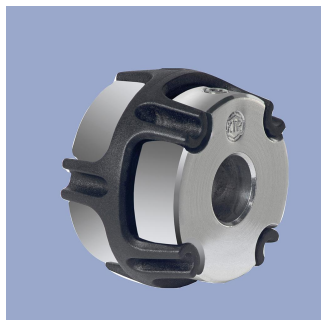
Output characteristic



Output characteristic



## Sensor Mounting



### Z-106-G\_

Backlash-free, double cardanic shaft coupling for Ø6 mm to Ø6 mm, Ø6.35 mm or Ø10 mm, mounting via 2 threaded pins with internal hexagon

Material Aluminium, PEEK

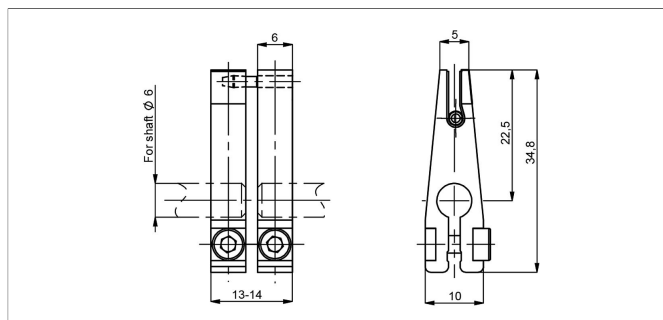
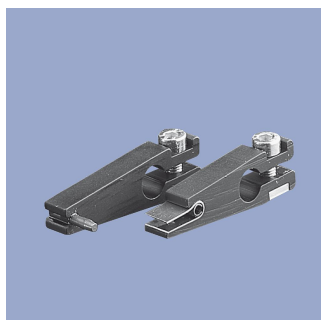
Operating temp. -40 ... +160°C

Transferable torque ≤ 1 Nm

torque

Displacement rad. ≤ 0.1 mm, angl. ≤ 0.45°

P/N	Type	ØA / ØB [mm]
400103910	Z-106-G-6	6 / 6
400103912	Z-106-G-6,35	6 / 6.35
400103913	Z-106-G-10	6 / 10



### Z-105-G-6

Backlash-free fork coupling for Ø6 mm. Mounting with 1 cylinder head screw M3 with internal hexagon.

Angle screwdriver DIN 911 AF 2.5 included in delivery.

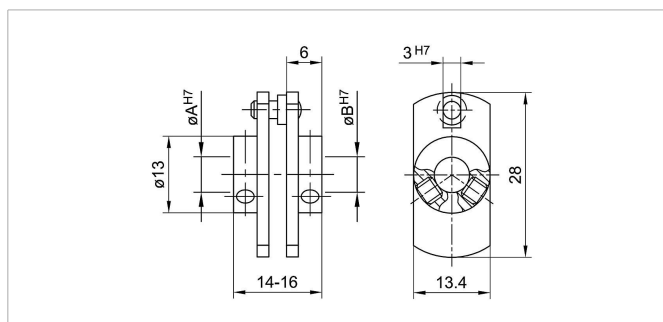
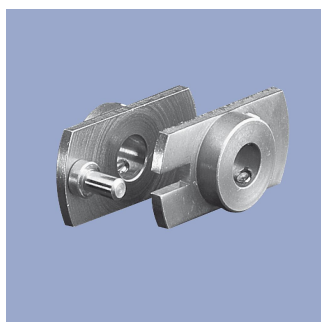
Material Aluminium, anodized (black)  
Driving pin and spring hardened

Transferable torque ≤ 5 Ncm

torque

Displacement ≤ 1 mm

P/N	Type
400005691	Z-105-G-6



### Z-104-G-6

Fork coupling with low backlash for Ø6 mm.

Mounting with 2 cylinder head screws M3 with internal hexagon.

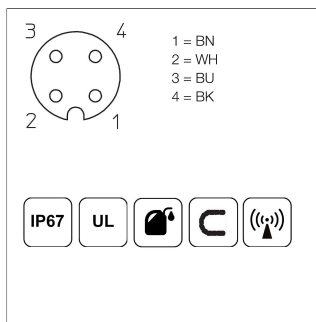
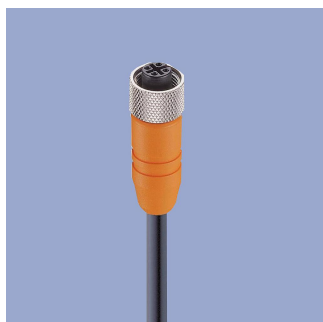
Angle screwdriver DIN 911 AF 1.5 included in delivery.

Material Stainless Steel, driving pin polished

Displacement ≤ 1 mm

P/N	Type	ØA / ØB [mm]
400005690	Z-104-G-6	6 / 6

## Connector System M12



**EEM-33-32/62/97**  
M12x1 Mating female connector, 4-pin, straight, A-coded, with molded cable, shielded, IP67, open ended  
Plug housing PA  
Cable sheath PUR, Ø = max. 6 mm, -25 ... +80°C (moved), -50 ... +80°C (fixed)  
Lead wires PP, 0.34 mm<sup>2</sup>

P/N	Type	Length
400005600	EEM-33-32	2 m
400005609	EEM-33-62	5 m
400005650	EEM-33-97	10 m

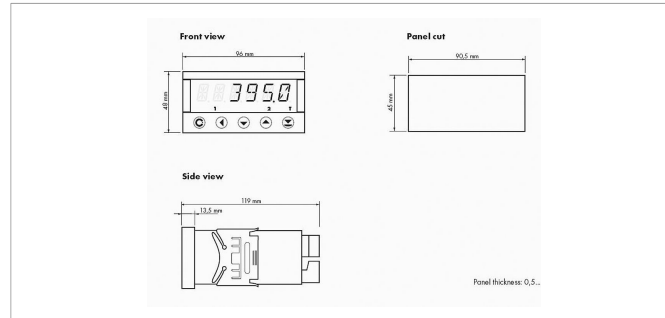
**IP67** Protection class IP67 DIN EN 60529  
**IP68** Protection class IP68 DIN EN 60529

Very good Electromagnetic Compatibility (EMC) and shield systems  
 Very good resistance to oils, coolants and lubricants

**C** Suited for applications in dragchains  
**UL** UL - approved

CAN-Bus

## Signal Processing



### MAP-4000

Multifunctional measuring device with digital display for direct connection of potentiometric and normalized signals.

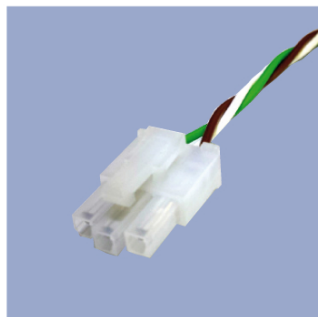
- Supply voltage 10...30 VDC, 80...250 VDC or AC
- High accuracy up to 0.1%
- Adjustable supply voltage for sensors 5...24 V
- Temperature coefficient 100 ppm/K
- Optional RS 232, RS 485, analog output, limited switch
- Complete data see separate data sheet



## Connecting Options on request



- M12 connector**
- Customized lengths
  - 3-, 4-, 6- and 8-pole versions
  - Protection class IP68
  - Ordering codes of standard versions see ordering specifications



- Molex Mini Fit jr.**
- Customized length and lead wires
  - 3-, 4- and 6-pole versions
  - On request



- Tyco AMP Super Seal**
- Pin- and bushing housing
  - Customized lengths
  - 3-, 4- and 6-pole versions
  - Protection class IP67
  - On request



- Molex Mini Fit jr.**
- Customized length and lead wires
  - 3-, 4- and 6-pole versions
  - On request



- Deutsch DTM 04**
- Pin- and bushing housing
  - Customized lengths
  - 3-, 4- and 6-pole versions
  - Protection class IP67
  - On request



- ITT Cannon Sure Seal connector**
- Customized lengths
  - 3-, 4- and 6-pole versions
  - Protection class IP67
  - On request

Novotechnik  
Messwertaufnehmer OHG  
P.O.Box 4220  
73745 Ostfildern (Germany)  
Horbstrasse 12  
73760 Ostfildern (Germany)  
Phone +49 711 4489-0  
Fax +49 711 4489-118  
info@novotechnik.de  
www.novotechnik.de



© Mar 23, 2020

The specifications contained in our datasheets are intended solely for informational purposes. The documented specification values are based on ideal operational and environmental conditions and can vary significantly depending on the actual customer application. Using our products at or close to one or more of the specified performance ranges can lead to limitations regarding other performance parameters. It is therefore necessary that the end user verifies relevant performance parameters in the intended application. We reserve the right to change product specifications without notice.